

NOTE:
ALL CRITICAL DIMENSIONS ARE SHOWN. EXACT PROFILE OF INDIVIDUAL COMPONENT FEATURES TO BE DETERMINED BY THE CARRIAGE MANUFACTURER

ANY ITEMS NOT SHOWN ON THIS DRAWING CAN BE PURCHASED FOR THE AFTERMARKET
EG. HEADER HOSE BRACKETS AND CLAMPS

ITEM	QTY	PART NO	DESCRIPTION
1	6	1345216	STUBSHAFT R# 320664
2	1	1477838	GUARD PLATE R# 1345163
3	1	39716	PLATE R# 223006
4	1	4082005	PLATE - HOSE R# 4082002

MACCO MATERIALS HANDLING GROUP, INC.

THIS PRINT CONTAINS CONFIDENTIAL INFORMATION WHICH IS THE PROPERTY OF MACCO MATERIALS HANDLING GROUP, INC. BY ACCEPTING THIS INFORMATION THE BORROWER AGREES THAT IT WILL NOT BE USED FOR ANY PURPOSE OTHER THAN THAT FOR WHICH IT IS LOANED.

REVISED DATE: DD-MMM-YYYY
CO: 121628

CHANGES FOR THIS REVISION
RELEASED FOR PRODUCTION
NO PROTOTYPE REVISION EXISTED

MASS (REF) kg
SIMILAR TO 4055474

MATERIAL SPECIFICATIONS

UNLESS OTHERWISE SPEC'D DIMS ARE IN mm AND TOLERANCE FOR:
1 WHOLE DIMS ± 1.0
2 PLACE DIMS ± 1.0
3 PLATE DIMS ± 0.50
ANGLE DIMS ± 0.5°

NAME 3 FFL, F563, ER PNEUMATIC CLASS 3 - CRG ATT DRW

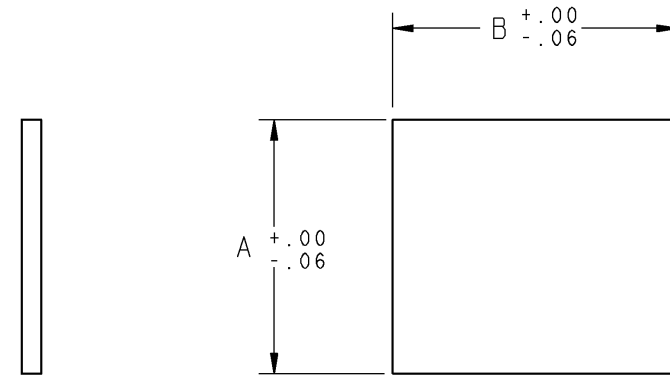
SCALE 1:2
THIRD ANGLE PROJECTION

SHEET OF DRAWING NUMBER 1/1
S S01716513430 0

PART No.	REV	A	B
39715	0	0.75	1.50
39716	0	0.80/0.69	2.50
266692	0	1.00	1.00
39717	0	1.00	2.00
39718	0	1.50	1.50
39719	0	2.00	2.00
916596	0	3.00	26.00
1338867	0	9.84	11.02

REVISION

R	DD-MMM YYYY	BY	ORDER/CHANGE NO.	CHANGE
22	18-Feb 2002	TCS	73929-02	REMOVED REVS 17-21 REDRAWN IN PRO-E



NACCO MATERIALS HANDLING GROUP, INC.

THIS PRINT CONTAINS CONFIDENTIAL INFORMATION WHICH IS THE PROPERTY OF NACCO MATERIALS HANDLING GROUP, INC. BY ACCEPTING THIS INFORMATION THE BORROWER AGREES THAT IT WILL NOT BE USED FOR ANY PURPOSE OTHER THAN THAT FOR WHICH IT IS LOANED.

DISTRIBUTION

MAT'L SPECIFICATIONS: HC-7
.750 IN. OR 20MM THICK

WEIGHT (REF): 1b

THIRD ANGLE PROJECTION

DR. BY: TCS CK. MAT'L. REL. ON ORD/ECN: 30089

SCALE: 1:5 DWG. FIRST USED SIMILAR TO CK. DRAWING DATE: DD-MMM-YYYY: 18-Feb-2002

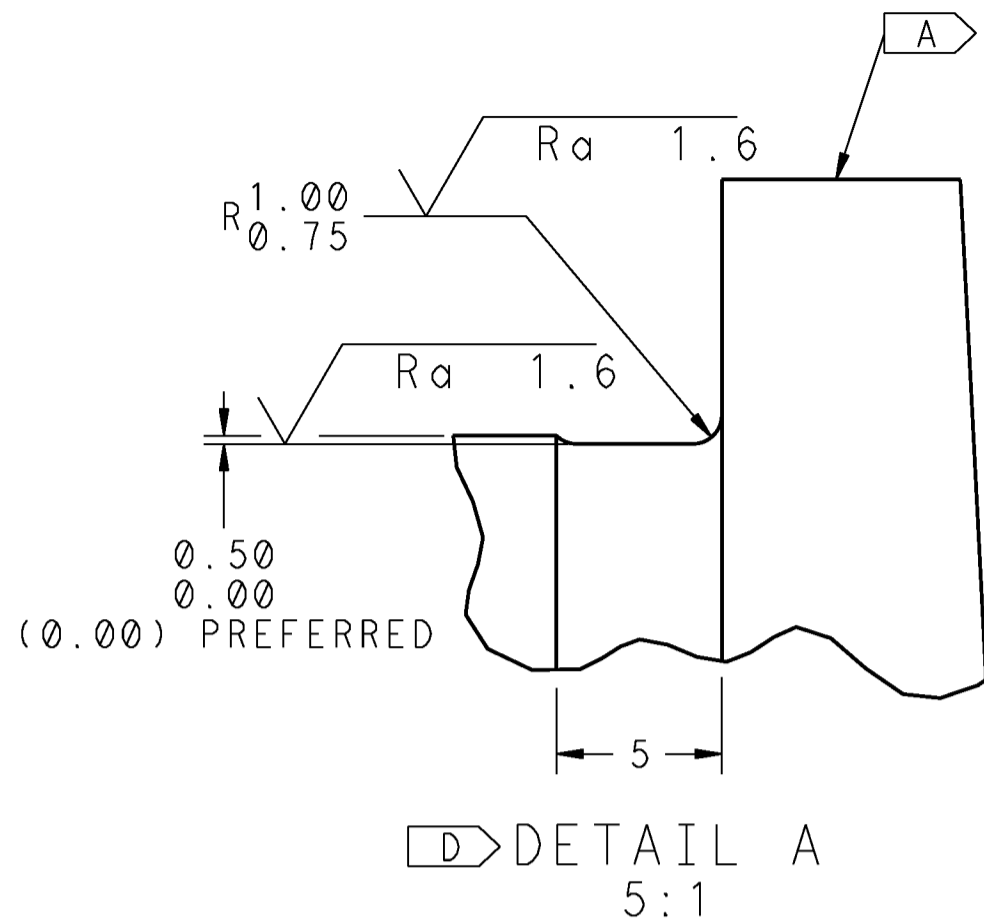
UNLESS OTHERWISE SPECIFIED DIMENSIONS ARE IN INCH AND TOLERANCES FOR:

- PLACE DIMS ± ANGLE ±
- PLACE DIMS ± WHOLE DIMS ±

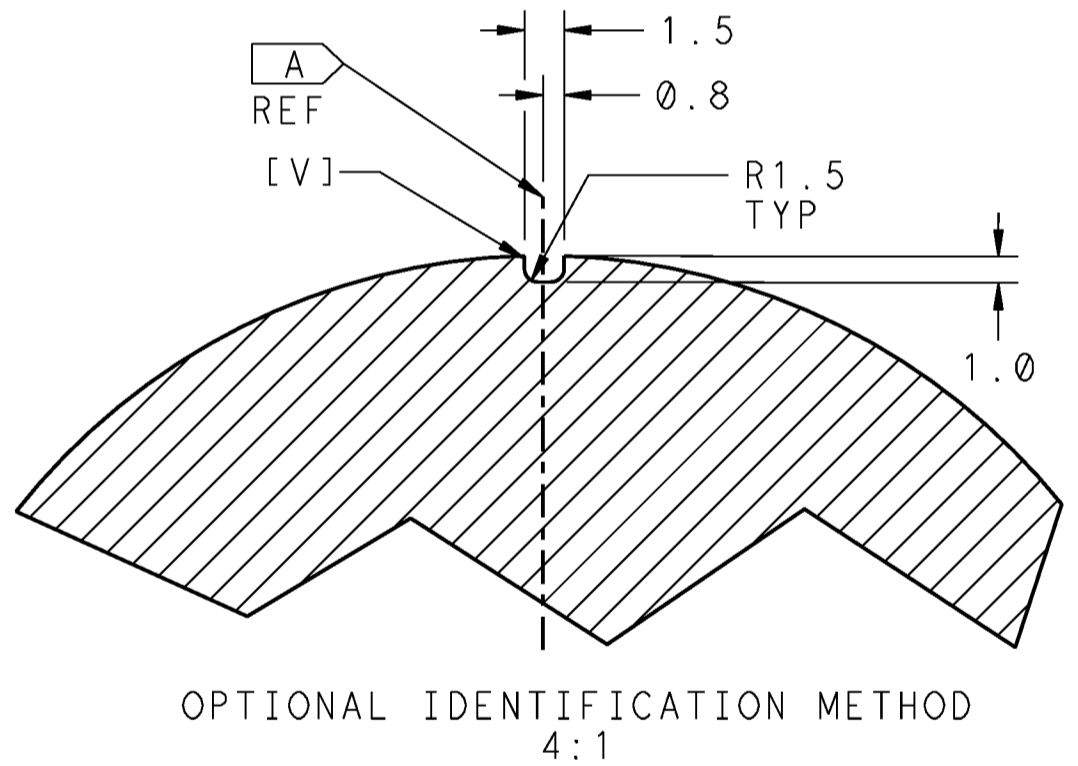
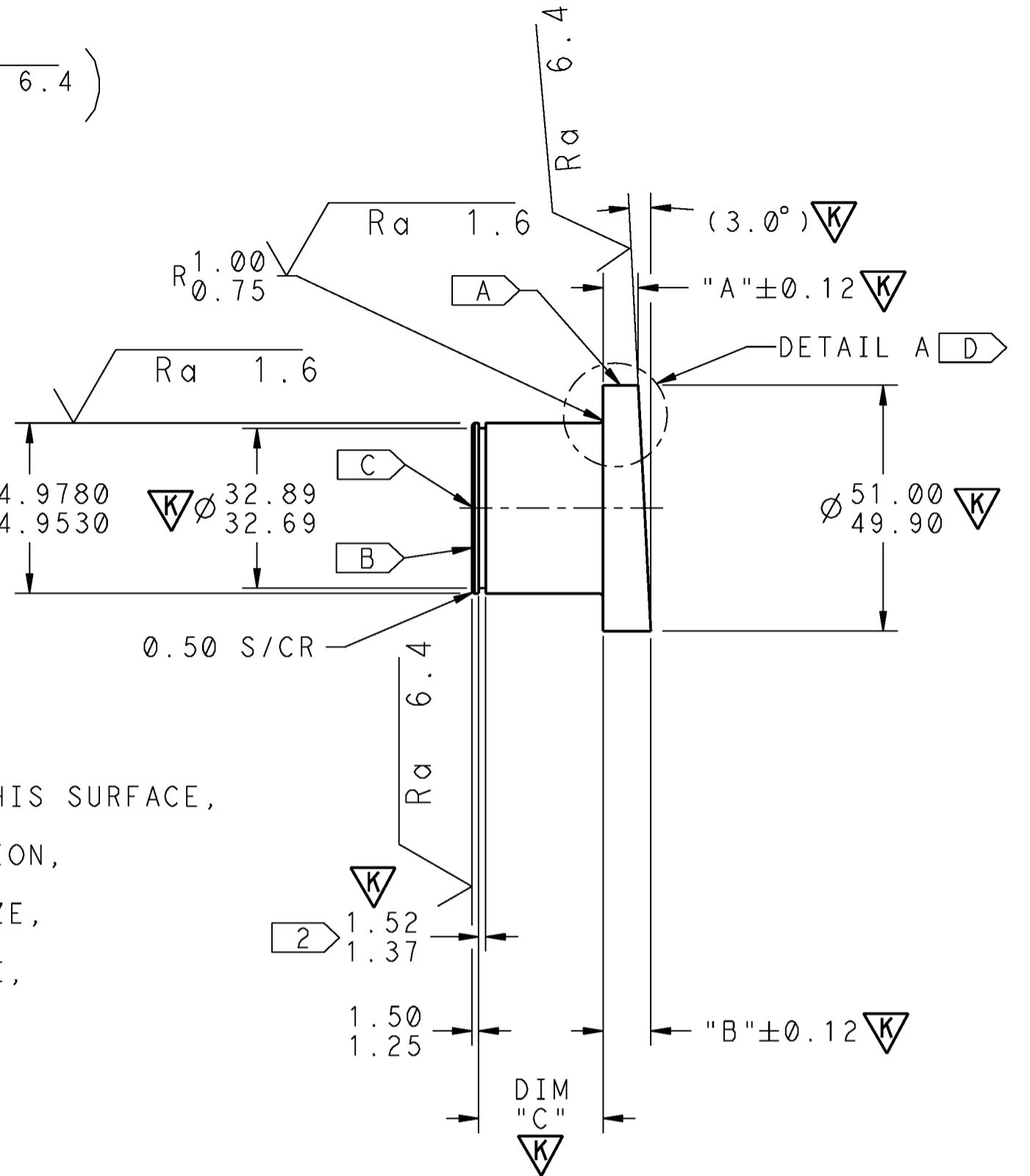
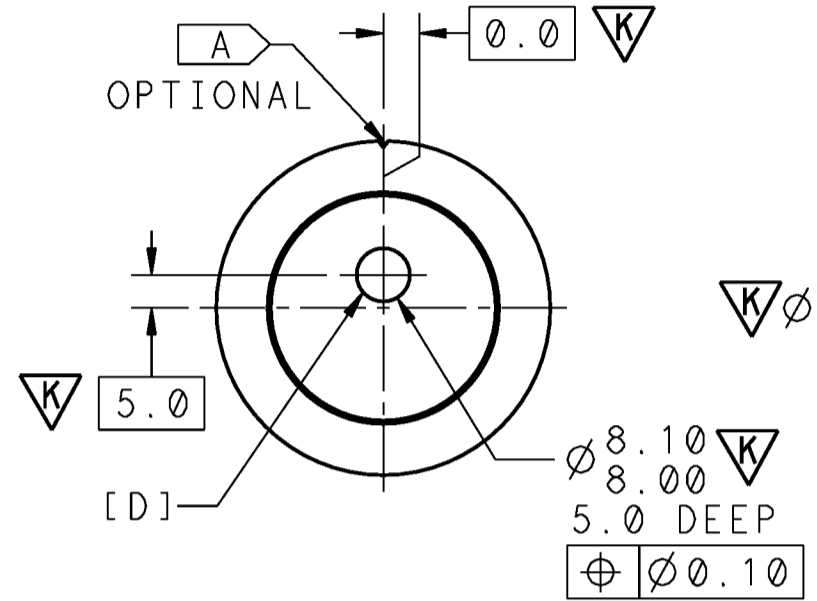
NAME: CHART-PLATE

MODEL: DEPT. PROJECT LIST DIV. SHEET OF 1/1 DRAWING NUMBER: 223006 R: 22

PRO/E



$\sqrt{Ra\ 3.2}$ ($\sqrt{Ra\ 1.6}$ $\sqrt{Ra\ 6.4}$)



- A** MARK LOCATION OF DIMENSION "A" ON THIS SURFACE,
- B** OPTIONAL: MANUFACTURING IDENTIFICATION, P/N TO BE INDENTED/ENGRAVED, 6MM SIZE,
- C** HARDNESS READING TO BE MEASURED HERE,
- D** MACHINING OPTION
- K** KEY CHARACTERISTICS.
- 2** FOR P/N 1345216 ONLY 1.66
OPTIONAL MFG. METHOD: 1.52
- 3** IDENTIFICATION MARK REQUIRED

ALL SURFACE ROUGHNESS HEIGHTS ARE IN μm .

SURFACE FINISH	
METRIC	INCH
μm	μIN
6.4	250
3.2	125
2.5	100
1.6	63
0.80	32
0.50	20
0.40	16
0.25	10
0.20	8

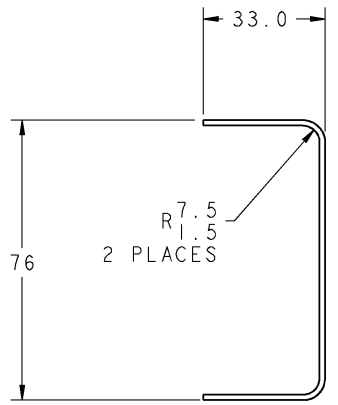
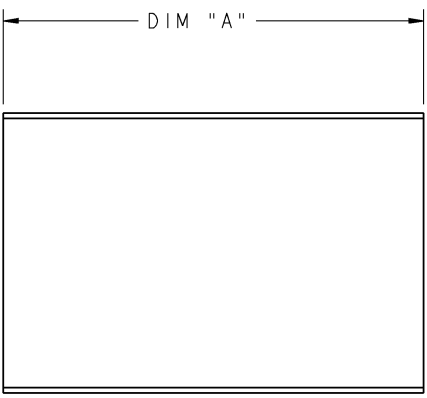
UNIT REF.	PART NO.	REV	K DIM "A"	K DIM "B"	K DIM "C"	MASS	TOOLING
60	297564	9	19.20	21.80	25.50/25.63	0.52	V
30-60	297565	9	7.20	9.80	25.50/25.63	0.33	V
30-50	320306	9	16.20	18.80	25.50/25.63	0.47	V
1.0-3.2	1345216	5	9.10	11.70	24.98/25.11	0.36	V
	4150478	1	9.10	11.70	24.98/25.11	0.36	D

HY HYSTER-YALE GROUP

THIS PRINT CONTAINS CONFIDENTIAL INFORMATION WHICH IS THE PROPERTY OF HYSTER-YALE GROUP, INC. BY ACCEPTING THIS INFORMATION THE BORROWER AGREES THAT IT WILL NOT BE USED FOR ANY PURPOSE OTHER THAN THAT FOR WHICH IT IS LOANED.

REVISED DATE: 10-AUG-2017 CO: 13991095	CHANGES FOR THIS REVISION REMOVED "S-N" FROM OPTIONAL NOTE 2 ON DWG.
MASS (REF) SEE CHART kg	
MATERIAL SPECIFICATIONS HC-6 OR HC-2, HB 235-293	
UNLESS OTHERWISE SPEC'D DIMS ARE IN mm AND TOLERANCE FOR: WHOLE DIMS ± 0 1 PLACE DIMS ± 0.3 2 PLACE DIMS ± 0.25 ANGLE DIMS $\pm 0.3^\circ$	NAME CHART-STUBSHAFT
SCALE 1:1 THIRD ANGLE PROJECTION	SHEET OF 1/1 DRAWING NUMBER 320664

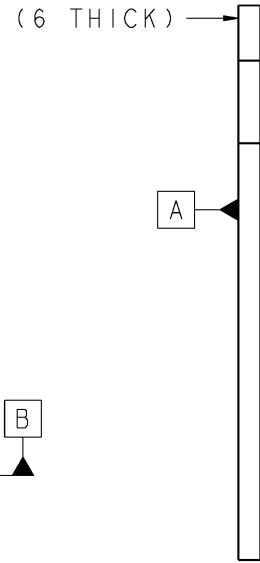
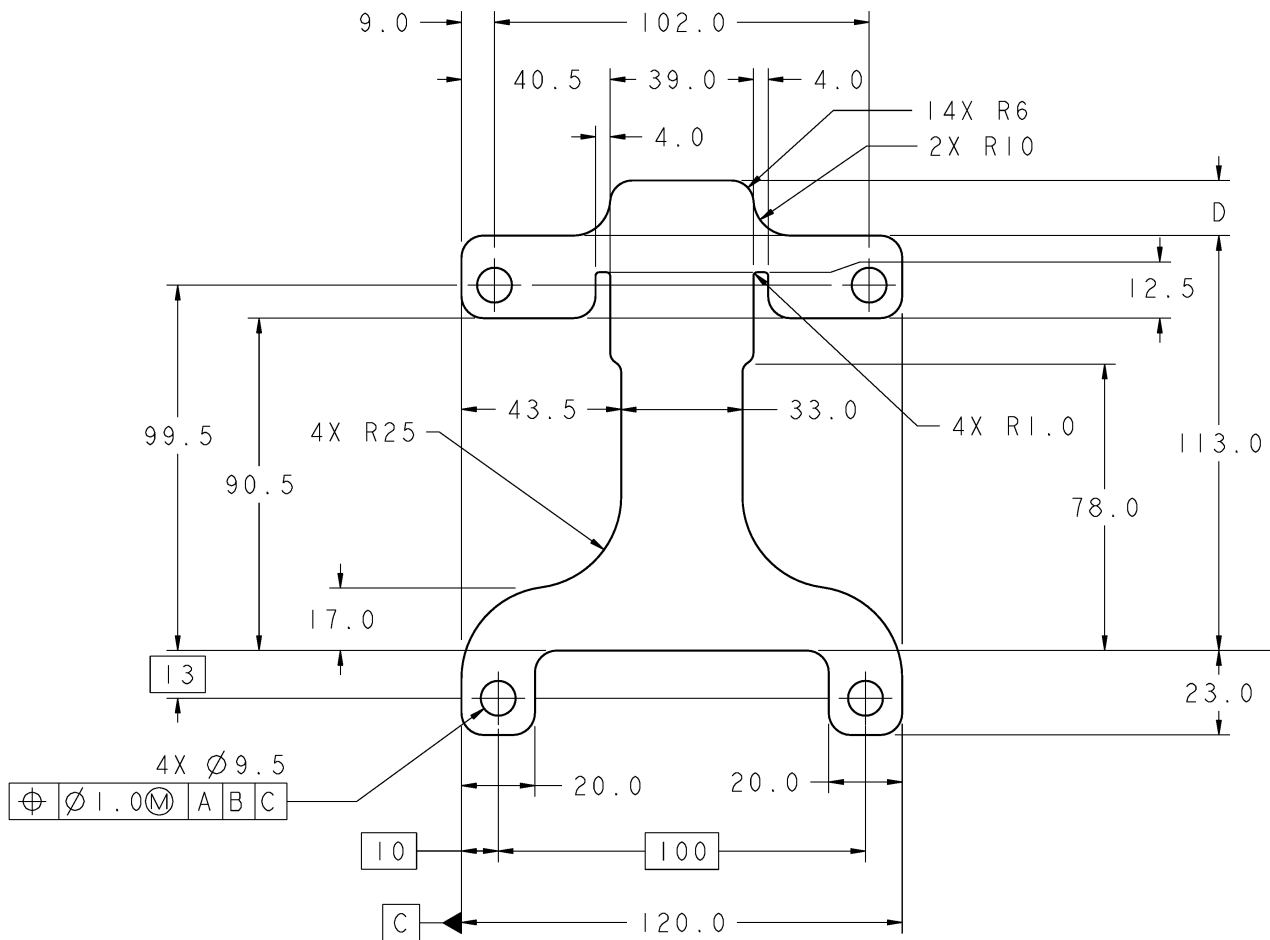
REVISION				
R	DD-MMM YYYY	BY	EPO/ECN NO.	CHANGE
6	18-Feb 2002	TCS	73929-02	REMOVED REVS 1-5 REDRAWN IN PRO-E
7	02-JUL 2002	pbo	74256-31	RELEASED FOR PRODUCTION; LAST REV WAS 306; ADDED PN 1477838.
8	15-SEPT 2003	CLG	74462	REDUCED DIM"A" BY 4 mm



PART NO.	REV.	DIM "A"
1345164	2	99.5
1345165	2	25.5
1345166	3	53.5
1354960	2	33.5
1359229	2	16.0
1359230	2	114.0
1359231	2	47.0
1365770	2	66.5
1477838	1	64.0

NACCO MATERIALS HANDLING GROUP, INC.		<small>THIS PRINT CONTAINS CONFIDENTIAL INFORMATION WHICH IS THE PROPERTY OF NACCO MATERIALS HANDLING GROUP, INC. BY ACCEPTING THIS INFORMATION THE BORROWER AGREES THAT IT WILL NOT BE USED FOR ANY PURPOSE OTHER THAN THAT FOR WHICH IT IS LOANED.</small>	
<small>DISTRIBUTION</small>			
<small>MAT'L SPECIFICATIONS</small> HC-16 16 GA. 1.5MM OR(0.0596 IN.) THICK OR OPTIONAL 11 GA. 3MM (0.1196 IN.) THICK		<small>MASS (REF)</small> kg	
<small>SCALE</small> 1:1		<small>THIRD ANGLE PROJECTION</small> 	
<small>DWG. FIRST USED</small> 1321250		<small>DR. BY</small> TCS	
<small>SIMILAR TO</small>		<small>CK. MAT'L</small> REL. ON EPO/ECN 57082-07	
<small>UNLESS OTHERWISE SPECIFIED DIMENSIONS ARE IN mm AND TOLERANCES FOR:</small> 1 PLACE DIMS ± 1.5 ANGLE ± - PLACE DIMS ± WHOLE DIMS ± 3			
<small>MODEL</small> 2.0-3.2		<small>NAME</small> CHART-PLATE GUARD	
<small>DEPT.</small> 7 18		<small>DRAWING NUMBER</small> 1345163	
<small>PROJECT</small> 1676		<small>DATE: DD-MMM-YYYY</small> 18-Feb-2002	
<small>LIST DIV.</small> 4500		<small>SHEET OF</small> 1/1	
		<small>R</small> 8	

A2 PRO/E



4X Ø9.5
 ⊕ ⊕ 1.0 ⊕ A B C

PART NO	NMHG_REV	D	MASS
4082003	1	-	0.37
4082004	1	15.0	0.41
4082005	1	97.0	0.55
4082006	1	83.0	0.53

UNLESS OTHERWISE SPECIFIED
 CORNERS ARE 3 S/CR.

		<small>THIS PRINT CONTAINS CONFIDENTIAL INFORMATION WHICH IS THE PROPERTY OF NACCO MATERIALS HANDLING GROUP, INC. BY ACCEPTING THIS INFORMATION THE BORROWER AGREES THAT IT WILL NOT BE USED FOR ANY PURPOSE OTHER THAN THAT FOR WHICH IT IS LOANED.</small>	
REVISED DATE: 09-SEP-2013 CO: 15486433		CHANGES FOR THIS REVISION 4X Ø9.5 WAS 2X Ø9.5	
MASS (REF) 0.41 kg			
SIMILAR TO 4051886			
MATERIAL SPECIFICATIONS HC-115, CLASS 3 6 OR 0.250 IN THICK			
<small>UNLESS OTHERWISE SPEC'D DIMS ARE IN mm AND TOLERANCE FOR:</small> WHOLE DIMS ± 2 1 PLACE DIMS ± 1.0 2 PLACE DIMS ± ANGLE DIMS ±		NAME PLATE - HOSE	
SCALE 1:1	THIRD ANGLE PROJECTION	SHEET OF 1/1	DRAWING NUMBER 4082002